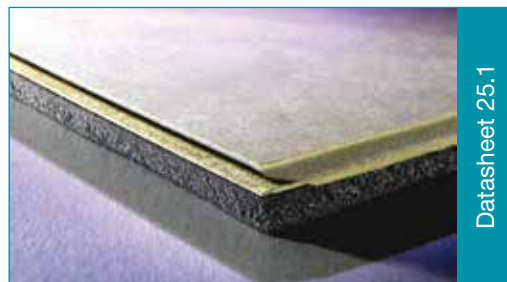
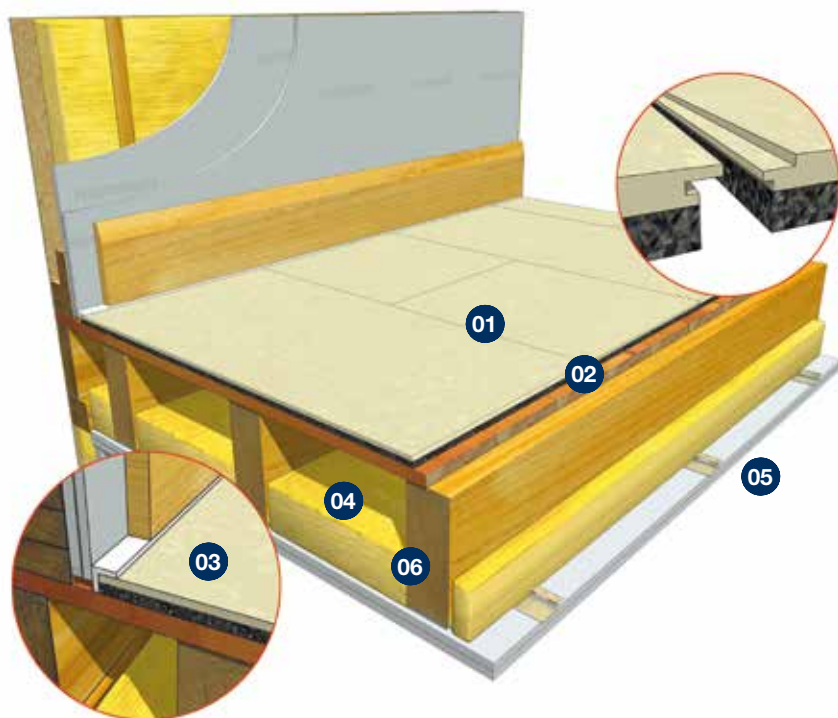


# Acoustic Deck 19

## SLIMLINE OVERLAY BOARD FOR TIMBER FLOORS



Datasheet 25.1



- 01** JCW Acoustic Deck 19
- 02** Existing Subfloor
- 03** JCW L Shaped or Flat Perimeter Edging Strip detail
- 04** 100mm x 45kg/m<sup>3</sup> Acoustic Slab
- 05** Resilient Bars and 2 layers x 15mm Acoustic Plasterboard
- 06** 235mm depth Timber Joists

**Product Code:** 1174

Slimline MDF based acoustic overlay board for timber floors

9mm t&g MDF board laminated to a 10mm acoustic resilient layer

### Refurbishment

- Ideal slimline product for both general and new domestic separating floor upgrades in lofts and extensions etc
- Good Impact and Airborne sound reduction
- Ideal for floated wood, laminate, carpets/carpet tiles. Additional floor preparation may be required for tiling and vinyl overlays

### PCT/PT

- Economical system for Conversion projects
- It is essential the recommended components shown above are used and correctly installed/detailed to meet the requirements where Pre-completion Sound Testing is required
- Deck ready for final floor finish e.g. laminates, carpets & carpet tiles (other finishes may require additional floor preparation)

**Sheet Size:** 19mm x 600mm x 1200mm (0.72m<sup>2</sup>)

**Sheet Weight:** 4.7 kgs

BRE LAB TEST DATA: **TEST NO:** L216-005, L216-006

**Airborne:** Rw 60 dB    **Rw + Ctr** 50 dB    **Impact:** Ln,w 50 dB

### Method of Compliance

PCT/PT (Scotland)

### Ancillary Products

- 1130 JCW Flat Edging Strip (50 Lm x 150mm x 5mm) 1170
- JCW Universal L Shaped Strip (2 Lm x 53mm x23mm)
- 1196 JCW Approved Adhesive (1 Litre)
- 1027 JCW Acoustic Sealant (310ml)

