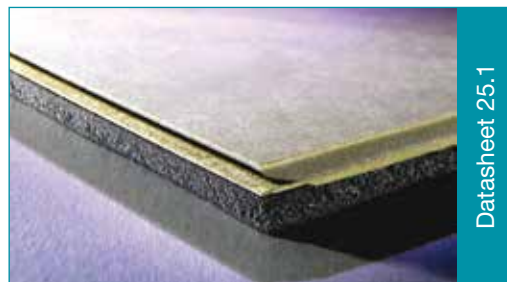
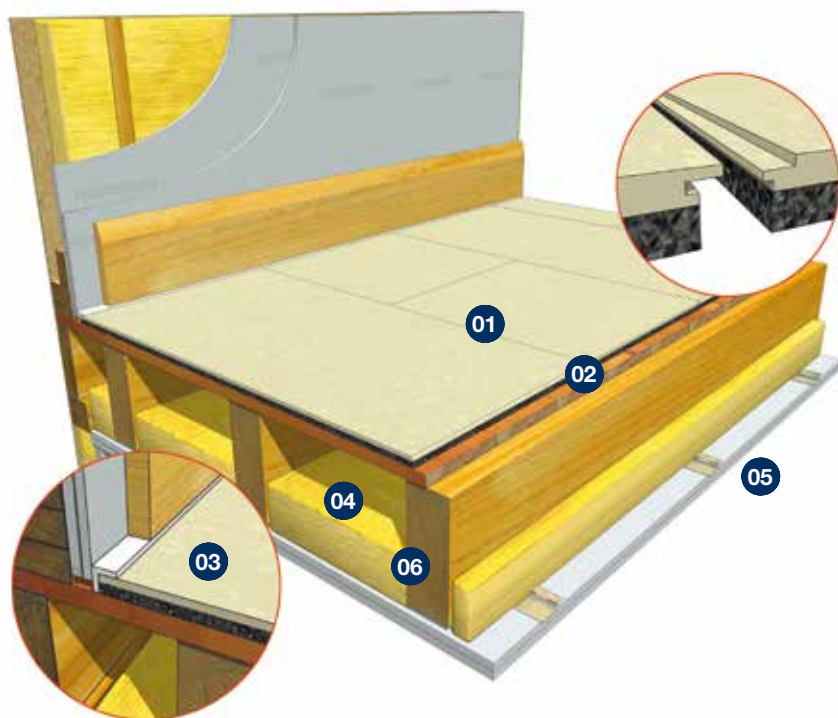


# Acoustic Deck 19

## SLIMLINE OVERLAY BOARD FOR TIMBER FLOORS



Datasheet 25.1



- 01 JCW Acoustic Deck 19
- 02 Existing Subfloor
- 03 JCW L Shaped or Flat Perimeter Edging Strip detail
- 04 100mm x 45kgs/m<sup>3</sup> Acoustic Slab
- 05 Resilient Bars and 2 layers x 15mm Acoustic Plasterboard
- 06 235mm depth Timber Joists

**Product Code:** 1174

Slimline MDF based acoustic overlay board for timber floors

9mm t&g MDF board laminated to a 10mm acoustic resilient layer

### Refurbishment

- Ideal slimline product for both general and new domestic separating floor upgrades in lofts and extensions etc
- Good Impact and Airborne sound reduction
- 

### PCT/PT

- Economical system for Conversion projects
- It is essential the recommended components shown above are used and correctly installed/detailed to meet the requirements where Pre-completion Sound Testing is required
- Deck ready for final floor finish e.g. laminates, carpets & carpet tiles (other finishes may require additional floor preparation)

**Sheet Size:** 19mm x 600mm x 1200mm (0.72m<sup>2</sup>)

**Sheet Weight:** 4.7 kgs

BRE LAB TEST DATA: **TEST NO:** L216-005, L216-006

**Airborne:** Rw + Ctr 50 dB

**Impact:** Ln,w 50 dB

### Method of Compliance

PCT/PT (Scotland)

### Ancillary Products

- 1130 JCW Flat Edging Strip (50 Lm x 150mm x 5mm)
- 1170 JCW Universal L Shaped Strip (2 Lm x 53mm x 23mm)
- 1196 JCW Approved Adhesive (1 Litre)
- 1027 JCW Acoustic Sealant (310ml)

Domestic Dwellings | Offices | Hotels | Conference Centres | Leisure Centres | Schools | Restaurants | Showrooms



Unit 32-34 Waters Meeting Development  
Britannia Way, Bolton, BL2 2HH

Sales helpline **01204 548400**  
8.30am - 5.00pm Monday to Friday

sales@acoustic-supplies.com  
**www.acoustic-supplies.com**

## Basic guidance notes for installation of JCW Acoustic Decking Systems

JCW Acoustic Decking floor panels are supplied in 2 standard board sizes dependent on the core material.

1) T&G Chipboard 2400 x 600mm

2) T&G Cement Based Particle Board or T&G MDF 1200 x 600mm

All acoustic boards are laid as a floating floor (i.e. no mechanical fixings). The boards must be kept dry and acclimatised at least 24 hours prior to installation. This will minimise any expansion or contraction after installation.

The subfloor or joists should be flat, dry, and free from all debris. Acoustic boards are best laid towards the end of the project to protect from general trades, high floor loadings and moisture leading to expansion.

- The floor area/s to be overlaid should be carefully planned prior to commencing installation to minimise wastage. There are two board types; **1) Overlay Boards** onto an existing or new sub-floor or **2) Direct to Joist**. In direct to joist installations the boards must be laid onto flat or levelled joists in the opposite direction of the joists ensuring that all board ends finish on a joist, otherwise additional supports may be required. Direct to joist boards can also be laid onto existing or new subfloors as an overlay solution.
- Ensure that all wall surfaces are prepared (plaster boarded and/or plaster skimmed) down to the level of the subfloor. Any gaps will facilitate the unwanted transmission of sound via the wall edges.
- Apply 5mm **JCW Perimeter Edging Strip** or **JCW L Shaped Perimeter Edging Strips** to the base of all perimeter walls allowing the excess foam to be folded over and trapped under the skirting board - the excess is then trimmed to finish flush to the front face of the skirting board using a sharp trimming knife.
- Remove any tongues at the wall edges, then cut and scribe the first corner board into place and butt up (do not compress) to the JCW Perimeter Edging Strip. All T&G board joints must be fully adhesive bonded using our recommended adhesive. The last board in the first row should be cut to length and the offcut carried forward to begin the second row.
- Proceed with the second and successive rows ensuring that all board joints are staggered. The last row of boards will require accurate cutting & scribing to butt up to the wall. Any minor gaps between the JCW Perimeter Edging Strip and the acoustic board should be filled with JCW Acoustic Sealant. It is imperative that the JCW Perimeter Edging Strip is **not compressed** in order to maintain the acoustic integrity and to provide an allowance for expansion.
- At main entrance doorways the acoustic deck should not be continuous with adjoining areas. Leave a 5mm gap at the door threshold between the adjoining acoustic boards and fill with JCW Acoustic Sealant. This action will ensure that the acoustic integrity is maintained within the room that is being sound tested.
- The finished floor should not be walked on for a period of 24 hours to allow the adhesive to cure undisturbed. **NOTE; PVA adhesive will not cure in temperatures below 5° Celsius.** Ensure that the board joint adhesive has fully cured prior to overlaying any final floor covering.

Any penetrations through the acoustic floor and beneath the separating ceiling must be correctly detailed and dealt with on a site by site basis.

**Further assistance is available via our Technical Helpline.**

**Disclaimer:** The product and installation information contained in this Data Sheet and General Installation Guide is to the best of our knowledge correct. Please contact us or the relevant product manufacturer directly prior to starting works, for the latest information to enable confirmation of the specification.

**Please Note: We recommend seeking appropriate advice from the relevant manufacturer of the final floor finish with regards to any additional preparation that may be required.**

Domestic Dwellings | Offices | Hotels | Conference Centres | Leisure Centres | Schools | Restaurants | Showrooms